

Illustration - Type - E

3 601 JG2 100
 Issue | 19-04-03
 Stand | Fig. /Abb. 1

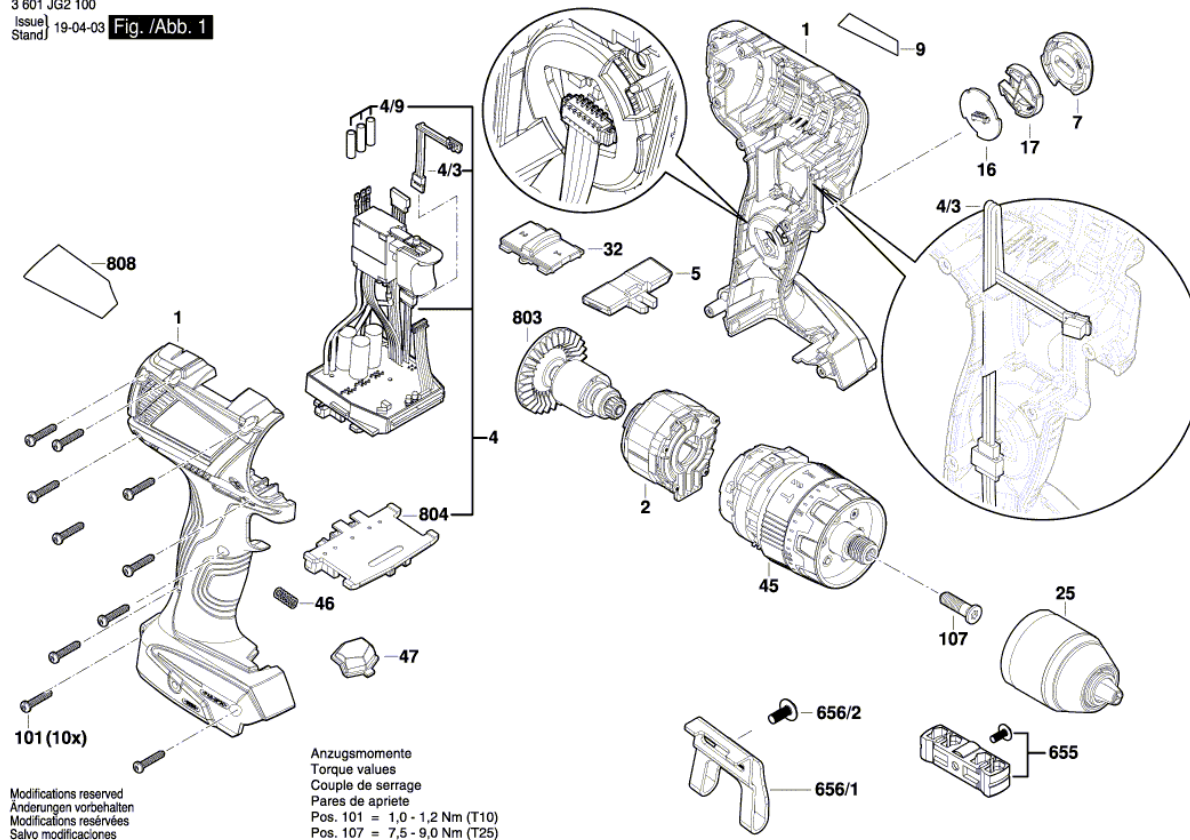
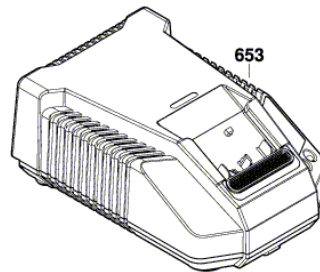
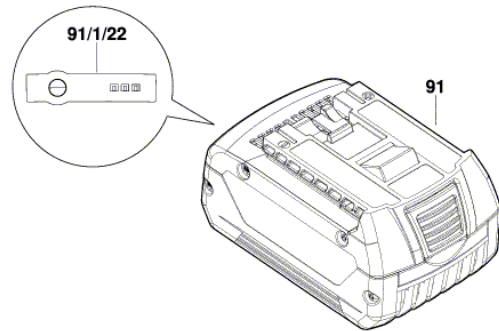


Illustration - Type - E

3 601 JG2 100
Issue |
Stand | 16-08-16 Fig. /Abb. 2



Modifications reserved
Änderungen vorbehalten
Modifications réservées
Salvo modificaciones

Spare parts list

Item	Part Number	Description	Illustration
1	1 600 A00 H64	Housing	1
2	1 619 P13 836	Stator	1
4	1 607 233 5D9	Electronic Module	1
4/3	1 607 503 369	Printed-Board Assembly	1
4/9	1 600 712 03J	Shrinkable Tube	1
5	2 609 101 484	Adjusting lever	1
7	1 600 A00 RU8	Cover unit	1
9	2 609 138 461	Manufacturer's nameplate GSB 18V-60 C	1
16	1 607 503 333	Printed-Board Assembly	1
17	1 600 A00 M53	Cover Panel	1
25	2 609 111 944	Keyless Chuck	1
32	2 609 199 812	Switchover Unit	1
45	1 600 A00 J5R	Gear Box	1
46	1 609 280 477	Compression Spring	1
47	2 609 101 490	Lens	1
101	2 609 110 353	Torx Oval-Head Screw	1
107	2 603 421 229	Countersunk-Head Screw M6x23 LEFTHAND THREADS	1
655	2 609 199 748	Bit holder	1
656/1	2 609 111 584	Clip	1
656/2	2 609 110 834	Screw	1
803	2 609 199 894	DC motor 18V	1
804	1 609 280 820	Contact retainer 18V	1
808	1 601 11A 4R2	Nameplate	1
91	2 607 337 069	Battery Pack BBS MR, 18V, 5,0 Ah 48 S	2
91/1/22	2 601 115 537	Sticker	2
653	2 607 225 921	Charger EU GAL 1880 CV 230/14,4-18V	2
653	2 607 225 923	Charger GB 230/10,8-18V, 30 42 S	2